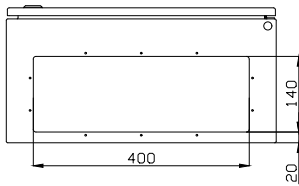
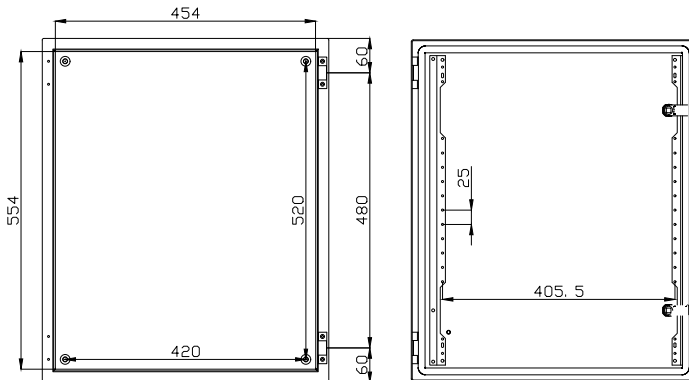


Enclosed Isolator Switch GSW IP55

Type: GSW3/4 400



LOAD BREAK SWITCH

400 Amp

Rated insulation voltage, U_i (V)		1000
Rated thermal current, I_{th} (A)		400
Nominal values with cable size (mm ²)		240
Rated operational current, I_e (A)		
	400/415V	400
AC-21	500V	400
	690V	400
	400/415V	400
AC-22	500V	400
	690V	400
	400/415V	400
AC-23	500V	400
	690V	400
	1000V	-
Rated operational power for 3-phase (1500 r.p.m.) squirrel cage induction motors (kW)		
	400/415V	200
	500V	250
AC-23	690V	355
Rated fused short circuit current		
Back-up fuse (A)		400
R.M.S. value, I_k (kA)		80
Peak value (kA)		26
Impulse withstand voltage, U_{imp} (kV)		12
Rated short circuit making capacity, I_{cm} (kA)		
	690V	12
Rated short time withstand current (1 s), I_{cw} (kA)		
	690V (* 1000V)	7
Rated breaking capacity, I_{cn} (A)		
	400/415V	3200
AC-2	500V	3200
3	690V	3200
Electrical endurance (number of operations)		2000
Mechanical endurance (number of operations)		10000
Terminals / Bolt size Cu (mm ²)		M10
Max terminal torque (Nm)		30-44

Enclosure

Construction	2mm cold-rolled steel plate
Degree of protection	IP55
Impact resistance	IK10
Temperature range	-25 °C / +40 °C
Maximum voltage	1000 V AC / 1500 V DC
Colour	RAL 7035.
Paint	Epoxy-polyester paint
Height (mm)	600
Width (mm)	500
Depth (mm)	250



Dokument/document		Utgava datum/edition date
Försäkran om överensstämmelse/ Declaration of conformity		29/06/2016
Avdelning/department Kvalite/Quality		
Ansvarig/prepared Magnus Arvidsson	Version 5	Sida/page 1 av/of 1

Supplier/Tillverkare: **GAROAB**
Box 203
S-335 25 GNOSJO Telephone: +46 (0)370 33 28 00
Sweden Telefax: +46 (0)370 33 28 50

Supplier established within EU/Ombud etablerad inom EG

Supplier of equipment /Materielslag : Enclosed Switchgear

Trade Mark/ Varumärke: GARO

Type Designation / Typbeteckning: GSW..., GFS..., GCO...,

We hereby declare that our product fulfils the requirements of following EC directives/
Vi intygar härmed att vår produkt uppfyller krav enligt följande EU direktiv:

- The Low Voltage Directive (LVD) 2014/35/EU / Lågspänningsdirektivet (LVD) 2014/35/EU.
- Electromagnetic compatibility (EMC) 2004/108/EU / Elektromagnetisk kompatibilitet (EMC) 2004/108/EG.
- RoHS Directive (RoHS) 2011/65/EU / RoHS direktivet (RoHS) 2011/65/EG.
- No electromagnetic compatibility (EMC) immunity or emission tests are required on the assembly/
Produkten innehåller inte elektroniska apparater som påverkas enligt förbehållen enligt direktivet
(EMC) 2004/108/EG.

The following harmonised standards (latest edition) or technical specifications which comply with good engineering practice in safety matters in force within the EU have been used in the design: /

Följande harmoniserade standarder (senaste utgåva) eller tekniska specifikationer som uppfyller god säkerhetsteknik praxis inom EG har använts i konstruktionen: EN 62; 69-1.'GP '82; 69/5

- The equipment conforms completely with the above stated harmonised standards or technical specifications. /
Materielen överensstämmer helt med ovan angivna harmoniserade standarder eller tekniska specifikationer.

Or/eller

- The equipment confirms only partially with the above stated harmonised standards or technical specifications but complies with good practice in safety matters in force within the EU. /
Materielen överensstämmer endast delvis med ovan angivna harmoniserade standarder eller tekniska specifikationer, men uppfyller god säkerhetsteknik praxis inom EG.

We have product surveillance according to CENELEC's harmonised requirements, documents CCA-201.

Garo AB
Company/Företag

2016-06-29
Date/Datum

Sign/Underskrift

Environmental- and Quality Manager/Kvalitets- och Miljöchef
Position/Befattning

Magnus Arvidsson
Name / Namnförtydligande